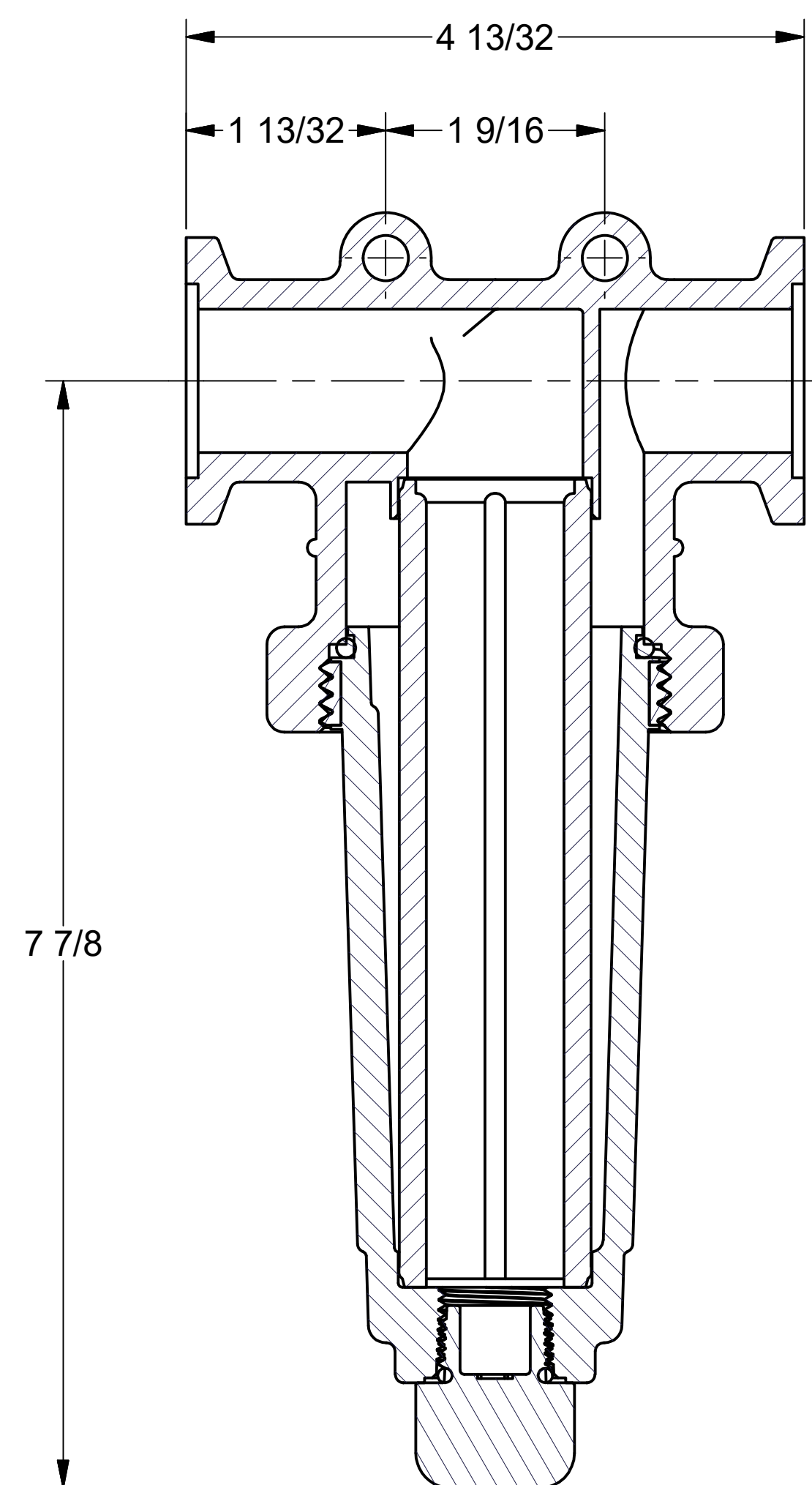
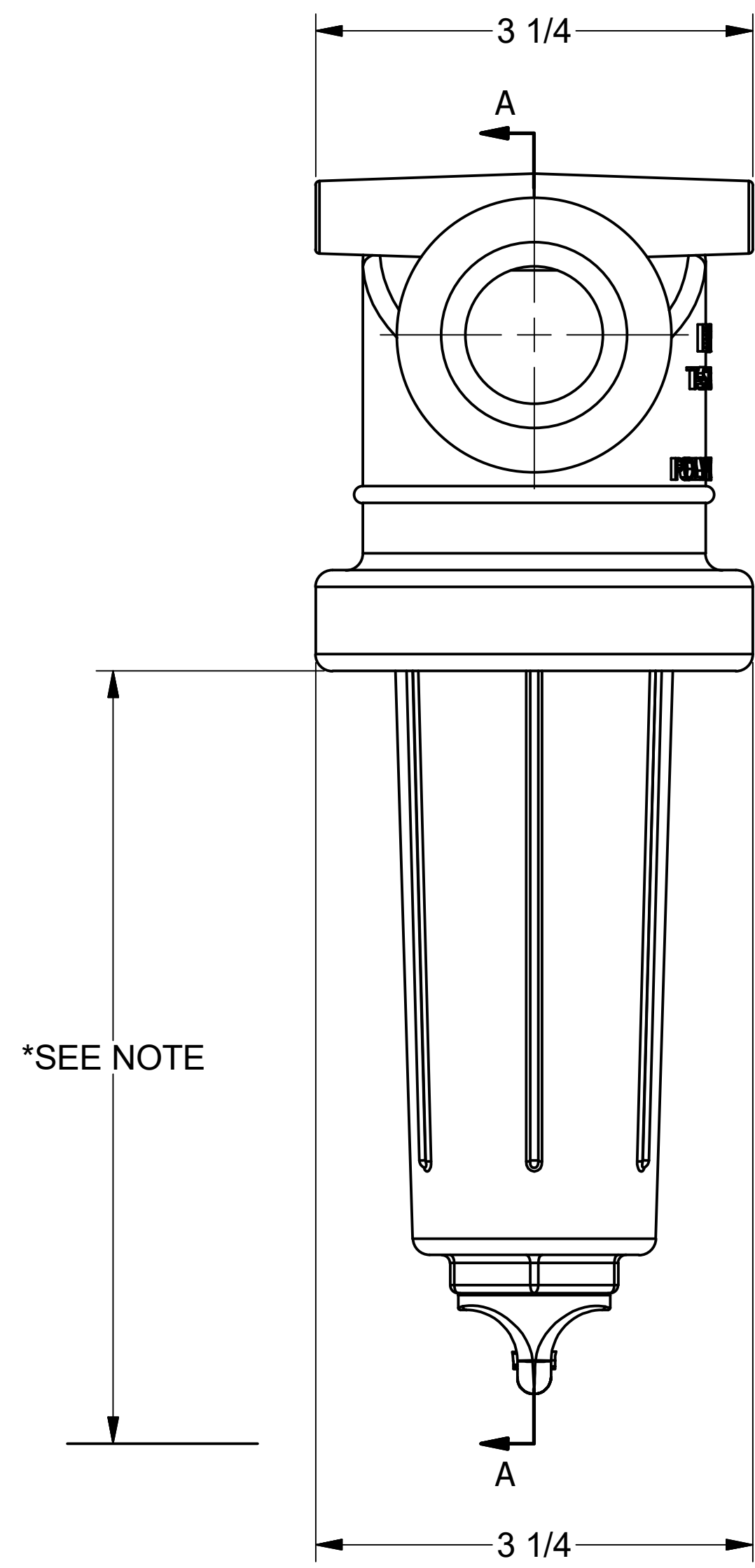
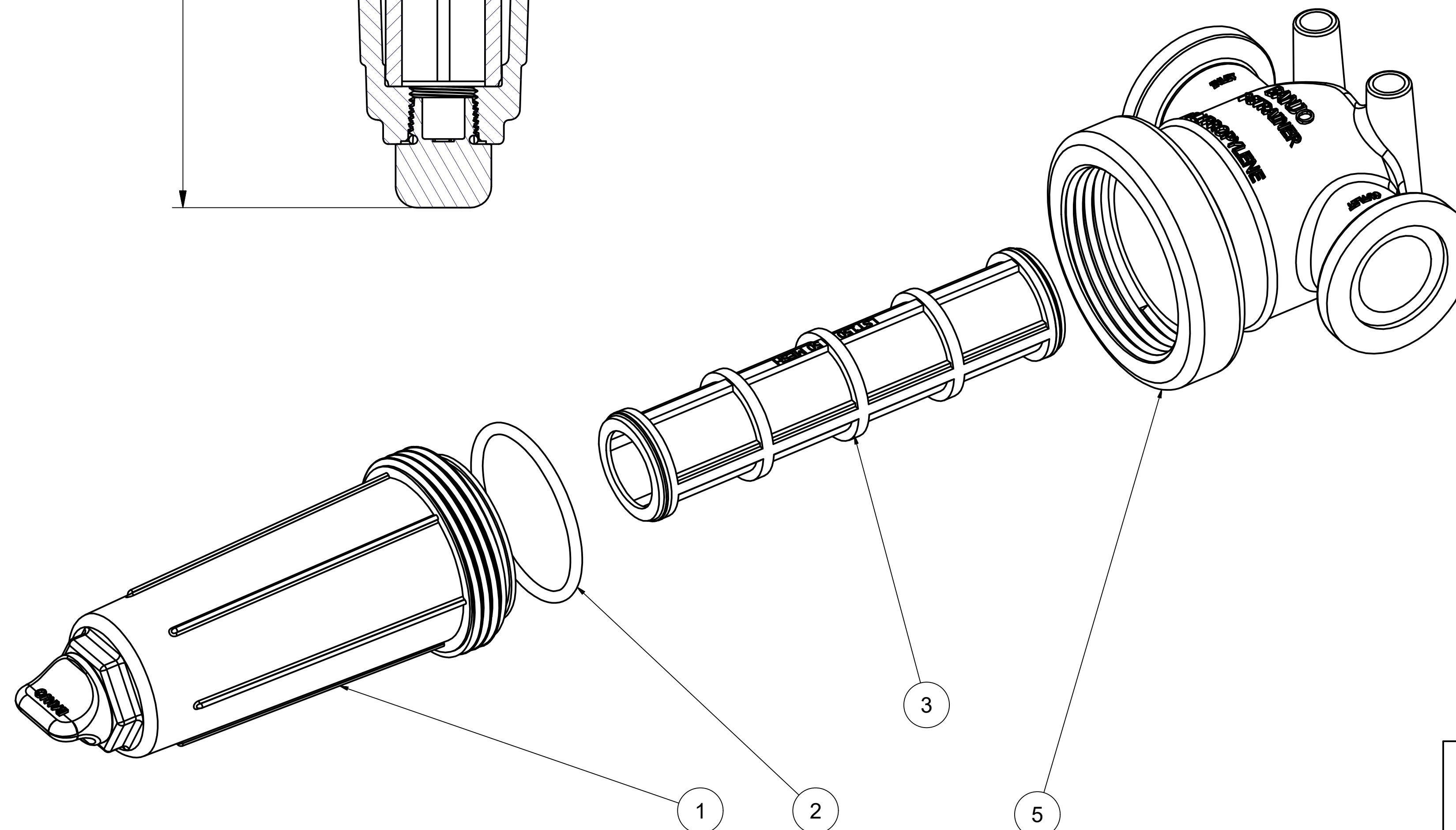
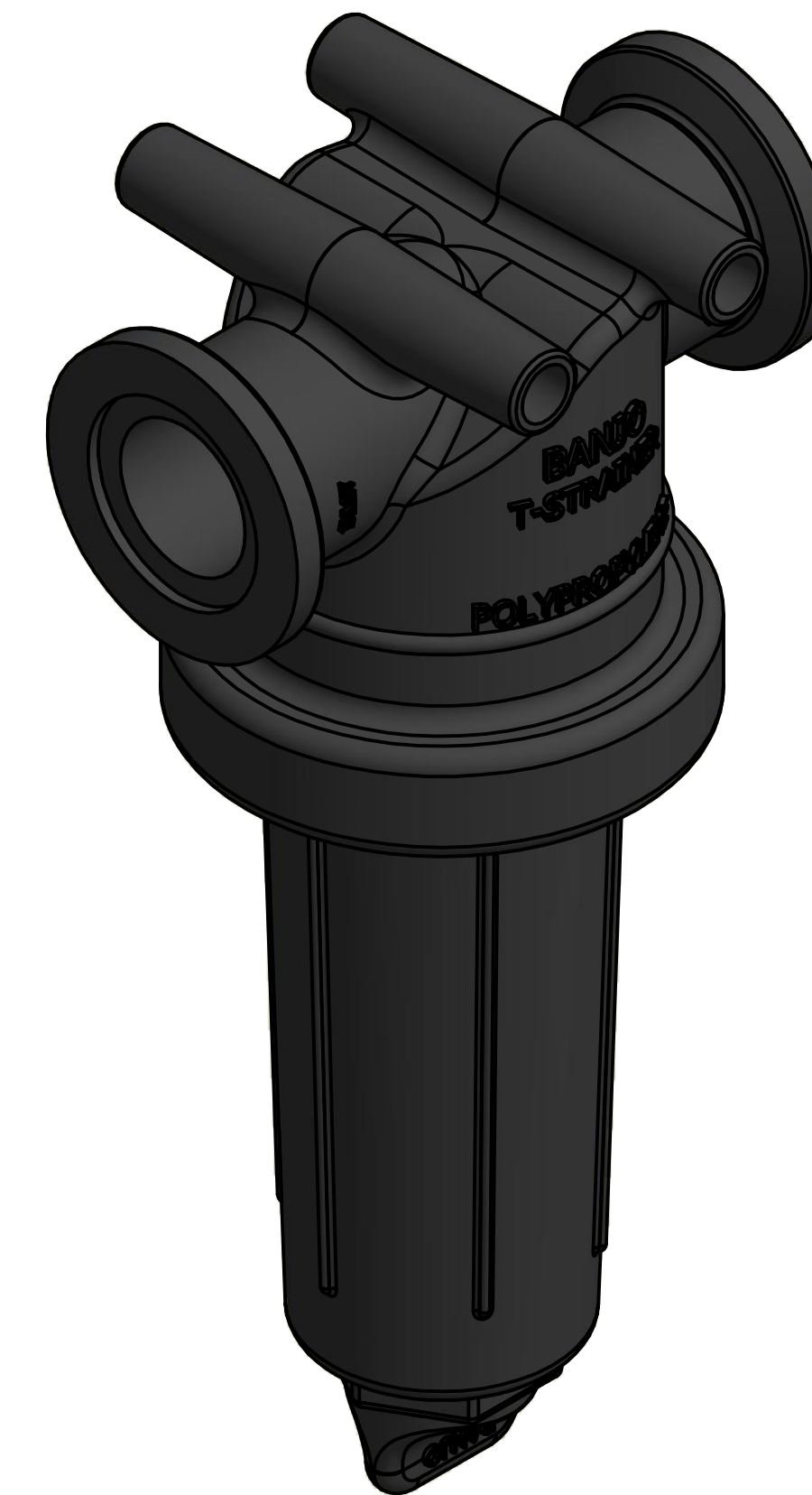


Parts List				
ITEM	QTY	PART NUMBER	DESCRIPTION	
1	1	LST100-B	3/4" & 1" T-STRAINER BOWL	
2	1	LST100-G	#226 O-RING	
3	1	LST150	1" LST SCREEN - 50 MESH	
4	1	LST300D	DECAL (N/S)	
5	1	MLST100-H	1" MANIFOLD T-STRAINER HEAD	

\*NOTE:  
ADDITIONAL CLEARANCE REQ'D  
FOR SCREEN REMOVAL: 5 3/4"



BANJO CORPORATION  
150 BANJO DRIVE, CRAWFORDSVILLE, IN 47933  
WEB SITE: WWW.BANJOCORP.COM  
E-MAIL: BANJOSALES@IDEXCORP.COM

THIS DRAWING AND ALL INFORMATION CONTAINED THEREON ARE THE EXCLUSIVE PROPERTY OF BANJO CORPORATION.  
UNLESS SPECIFICALLY NOTED, THIS DRAWING AND ITEMS SHOWN ON THIS DRAWING ARE SUBJECT TO CHANGE AT ANY TIME.

DESCRIPTION  
**1" MNFLD T-STRAINER W/ #50 MESH SCREEN**  
PART NUMBER  
**MLST100-50**